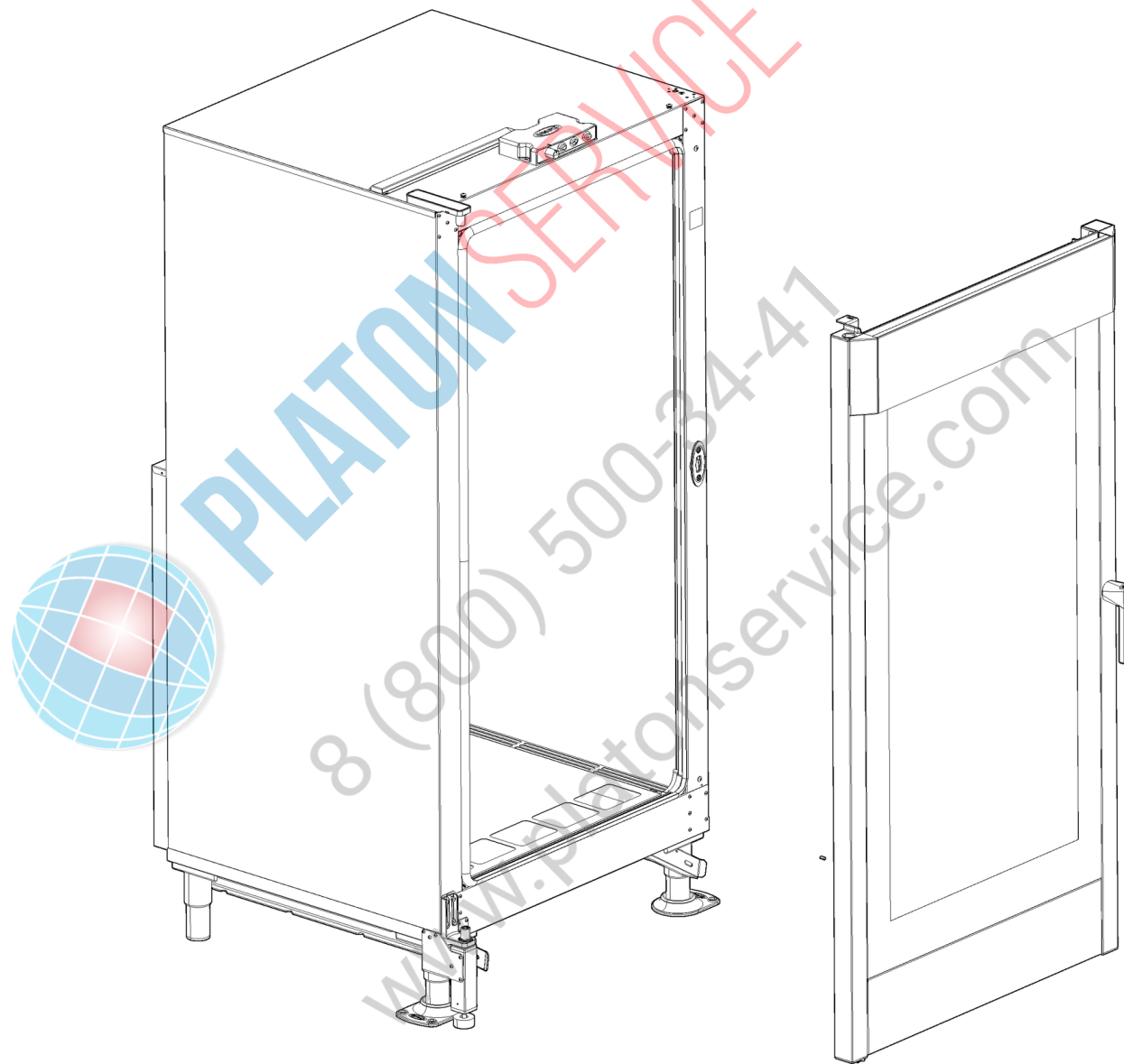
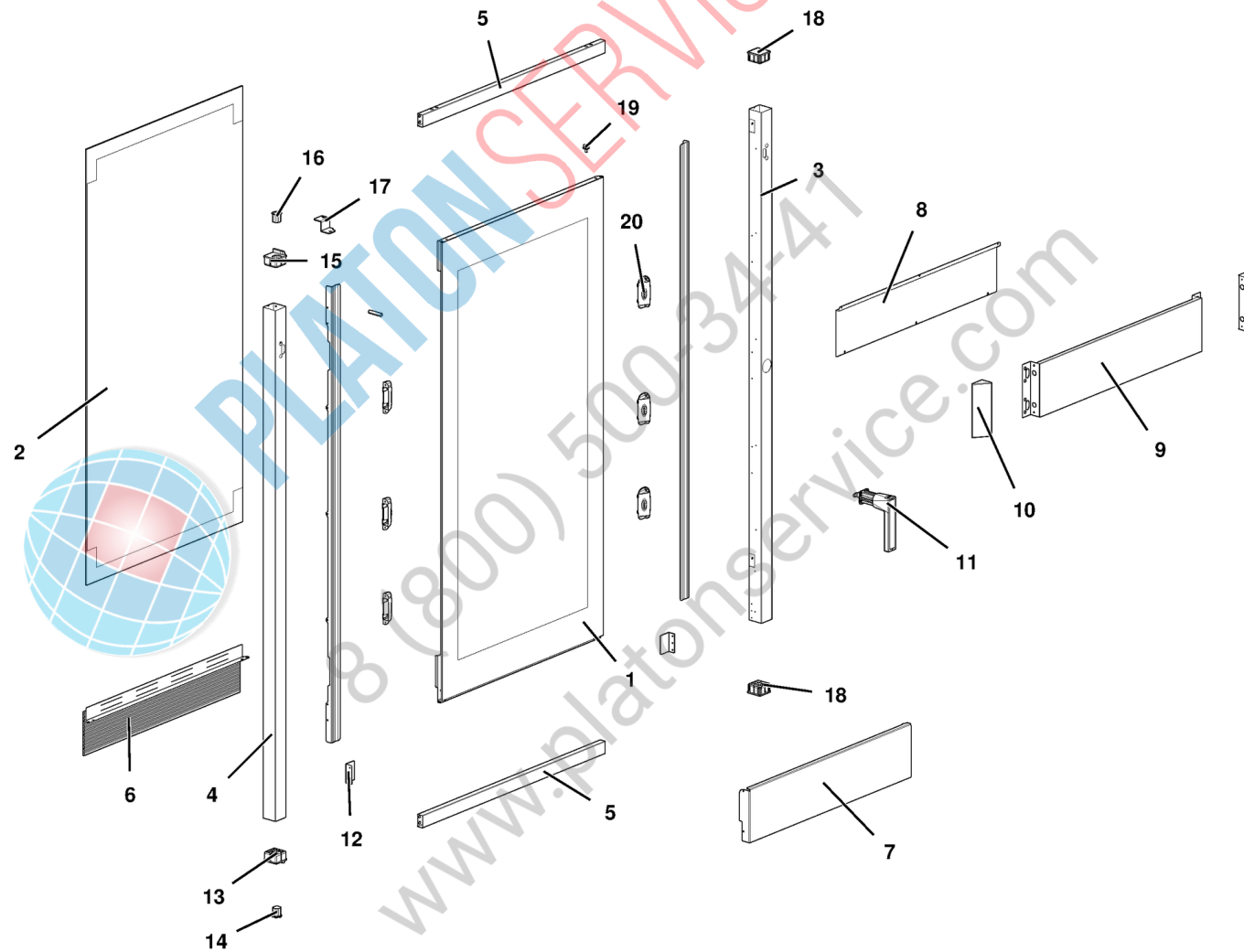


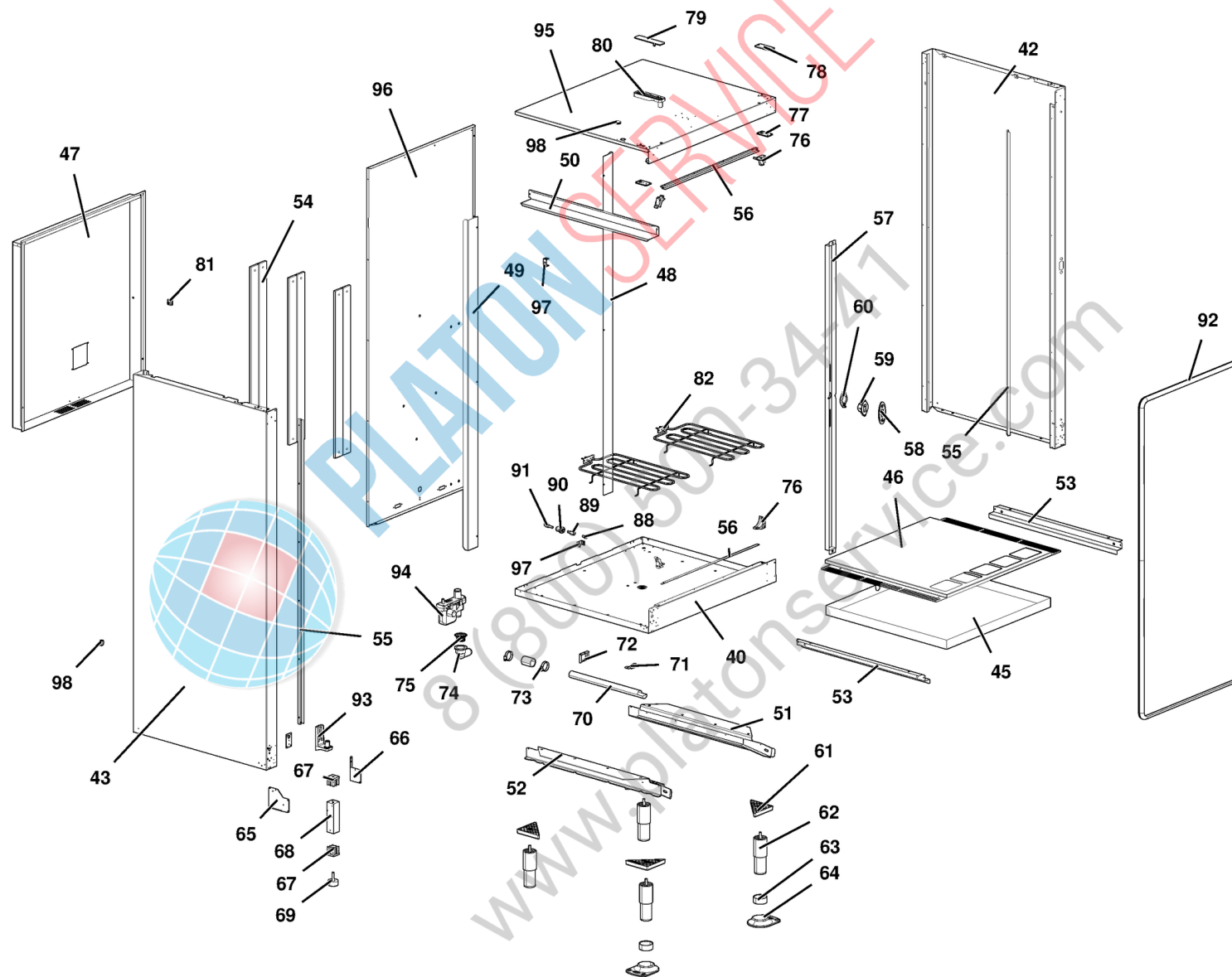
# MOD:XL1003



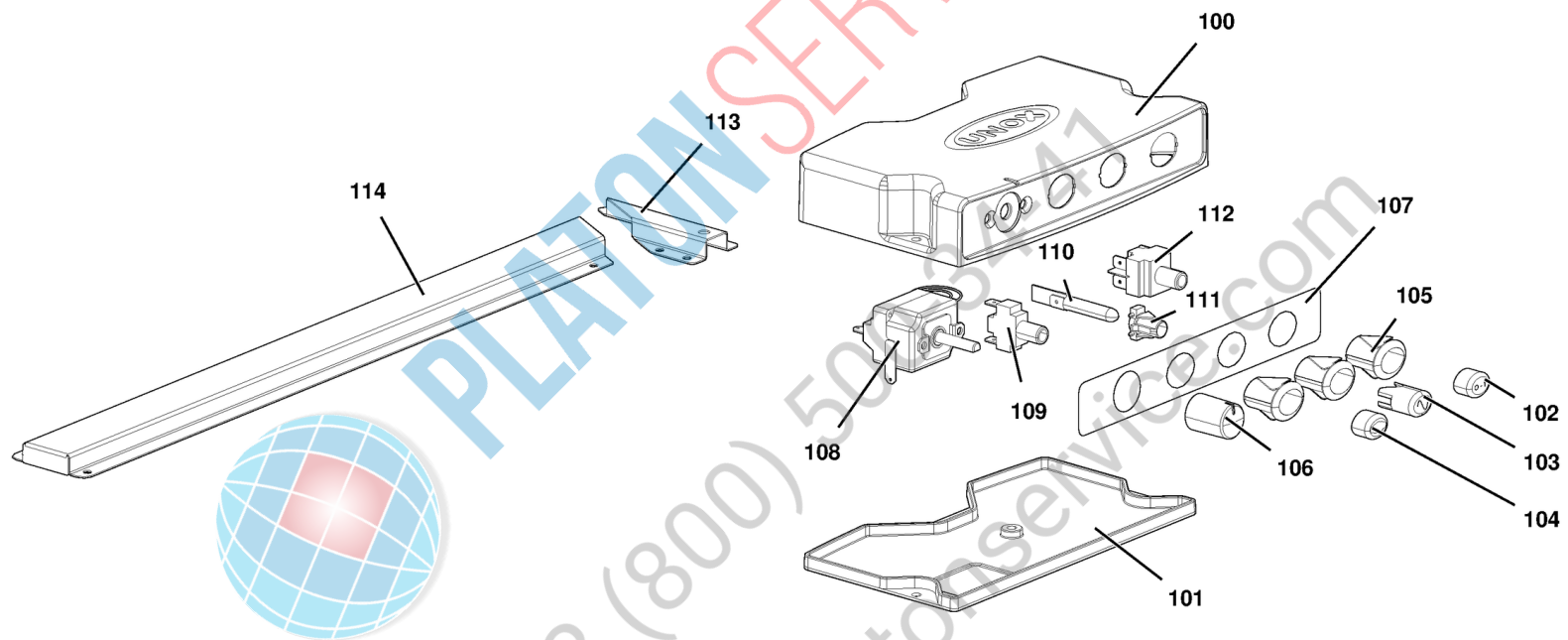
# MOD:XL1003



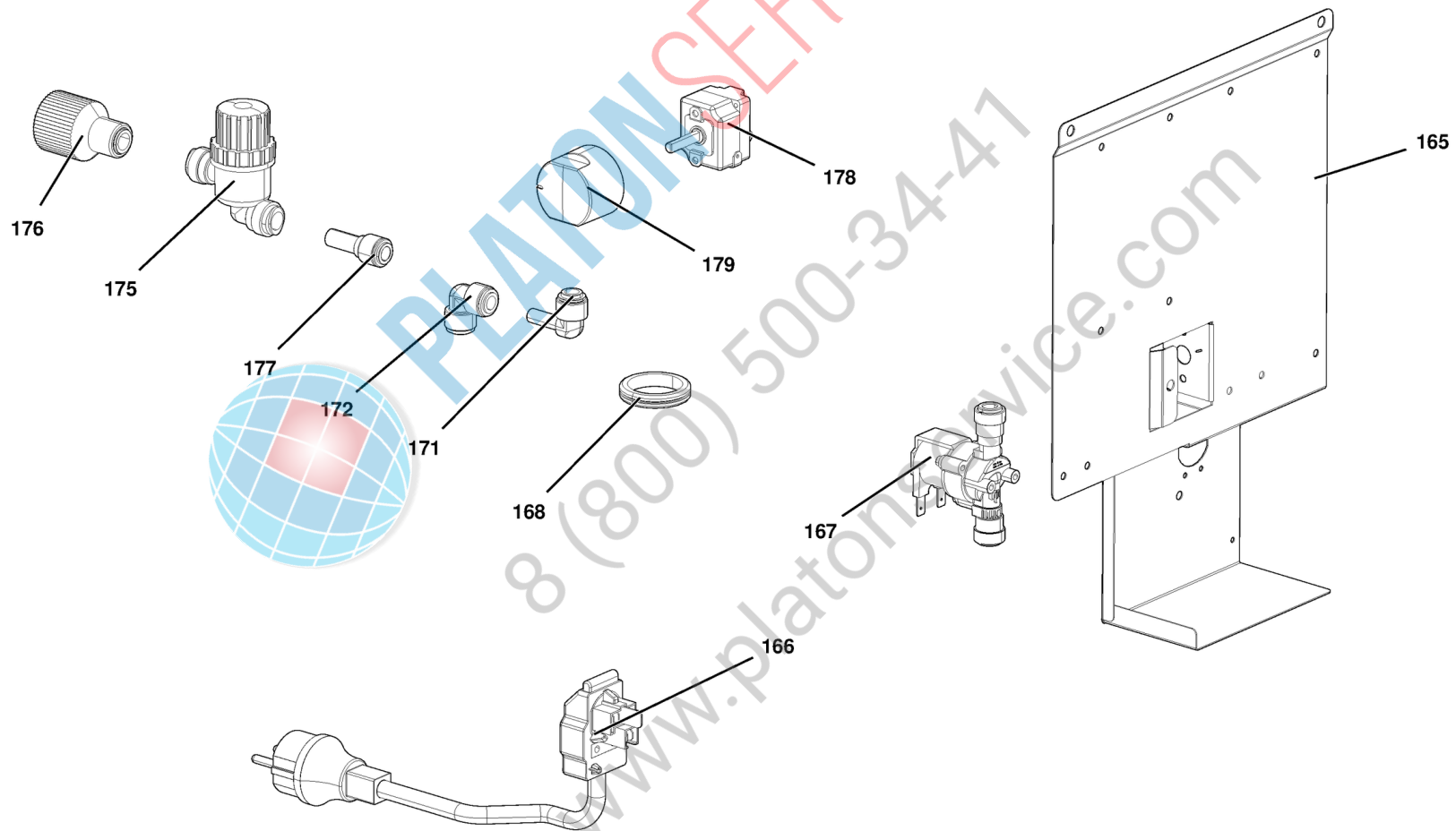
# MOD:XL1003



# MOD:XL1003



# MOD:XL1003



# MOD:XL1003



IT

## Descrizione codici

1	VT1161A	VETRO ESTERNO SER. 757X1467X5
2	VT1160A	VETRO INT. 730x1395x6 XBC/XVC 1000-4000
3	TB2550A	COLONNINA DX LIEVI. XL100-1005 50x50x1.2
4	TB2336A	COLONNINA SX SERIE 1000/3200/4000 S.5E
5	OH3170A	LIST. INF/SUP XVC1004/XBC1004 40x20x1
6	GN1348E	GUARNIZIONE PORTA-CARRELLI GN1341B
7	OH6458A	PROFILO INFERIORE PORTA XVC1005E/XBC1005
8	OH4450A	LAMIERA CHIUSURA POST. CRUSCOTTO
9	VT1264A	VETRO NERO 1093-4093
10	OH6720A	FIANCHETTO CRUSCOTTO COMANDI
11	VM1180B	IMPUGNATURA MANIGLIA CT BT
12	OH6445A	LAMIERA CAMMA PORTA BIG S.5E
13	VM1171B	TAPPO FULCRO INF. PORTA XVC204/304/504/7
14	VM1510A	BOCCOLA SCANALATA PERNO PORTA XBC/XVC
15	VM1170B	TAPPO FULCRO SUP. PORTA XVC204/304/504/7
16	VM1511A	BOCCOLA LISCIA PERNO PORTA CHEFTOP
17	OH3428A	STAFFA SUP. PORTA SX SERIE 1000-4000
18	VM1175A	TAPPO ESTETICO COLONNINA PORTA
19	VM1815A	NOTTOLINO M6 CROMATO FISS. GRIGLIE
20	VM1591A	STAFFA SPINGIVETRO INTERNO XVC1004
40	OE1334B	FONDO LIEVITATORE BIG
41	OD2219C	COPERCHIO LIEVITATORE XL1005
42	OD2253A	FIANCO DX LIEVITATORE BIG
43	OD2252A	FIANCO SX LIEVITATORE BIG
44	OF1467B	SCHIENA LIEVITATORE BIG XL1005
45	OH6749A	VASCA LIEVITATORE BIG
46	OH6750A	COPERCHIO VASCA LIEVITATORE BIG
47	OH6753B	COVER POSTERIORE LIEVITATORI BIG
48	OH7018A	COVER INTERNA VERTICALE DESTRA
49	OH6936A	COVER VERTICALE INTERNO LIEVIT BIG
50	OH6937B	COVER ORIZZ. INTERNA LIEVIT BIG

51	OH6897B	ASM GUIDE CARRELLI DX LIEVIT BIG
52	OH6898B	ASM GUIDE CARRELLI SX LIEVIT BIG
53	OH6755A	GUIDA VASCA LIEVITATORE BIG
54	VM2180A	BARRA CONTRAPPESO 50X10
55	OH7022A	GUIDA GUARNIZIONE VERTICALE
56	OH7019A	GUIDA GUARNIZIONE ORIZZ
57	OH3280A	LAMIERA REGGI SROCCO XVC1004 XBC1004
58	VM1455A	COPERCHIO PER SCROCCO FORNO XVC-XBC1004
59	VM1190A	SCROCCO MANIGLIA DX CT BT
60	VM1192A	COPERCHIO SCROCCO MANIGLIA CT BT
61	VM1281A	STAFFA TRIANGOLARE PIEDINO-RUOTA
62	PD1073A	PIEDE REGOLABILE D50 130-185
63	VM2048A	ANELLO ADATTATORE PIEDINO
64	VM1014A	ANELLO FISSAGGIO FORNO A PAVIMENTO
65	OH6894A	FISSAGGIO LATERALE PIEDINO
66	OH6895B	FISSAGGIO INTERNO PIEDINO
67	VM1125A	TAPPO NYLON CARICATO VETRO FILETTATO
68	TB2461B	TUBO PIEDINO 40x40x1.2
69	PD1065A	PIEDINO D45 H20 M10X40
70	TB2463B	TUBO SCARICO LIEVITATORE BIG Ø30x1
71	OH6896A	SUPPORTO ANTERIORE SCARICO
72	OH6756B	SUPPORTO POSTERIORE SCARICO
73	RC1055A	FASCETTA STRINGI TUBO Ø25-40 H12 INOX
74	VL1026A	CURVA PER TUBO DI SCARICO
75	GN1400A	GUARNIZIONE SIFONE
76	VM1645A	ANGOLO GUARNIZIONE XL405
77	OH6718A	ASM CONTROSTAFFA PORTA S.E AISI 304
78	VM1195A	PIASTRINA COPRIFORI XVC204/304/504/704
79	VM1166A	COPERCHIO STAFFA SUPERIORE PORTA
80	VM1165B	STAFFA SUPERIORE PORTA CT BT
81	VM1750A	MORSETTO A PETTINE

82	RS1270A	RESISTENZA PIANA 1,2KW 230V
83	VM1690A	SUPPORTO SONDA UMIDITA XL405
84	VM2160A	PROLUNGA SENSORE UMIDITA
85	TR1120A	SENSORE UMIDITA
86	VM1465A	COPERCHIO SONDA TEMPERATURA CHEFTOP
87	TR1105A	SONDA TEMPERATURA PT100 L1000
88	UG1004A	UGELLO ACQUA 1/8" XC415-515-625
89	RC1380A	RIDUZIONE 1/8 FEMM-D8 LIEVITATORE BIG
90	EL1125A	PASSAPARETE Ø8
91	EL1195B	RACCORDO GOMITO Ø8F-Ø8M
92	GN1392C	GN1006A-GUARNIZIONE PORTA XVC1005-4005
93	VM1160B	STAFFA INFERIORE PORTA CT BT
94	VL1005A	VASCA SIFONE
95	OD2233B	COPERCHIO LIEVITATORE XL1003
96	OF1472B	SCHIENA LIEVITATORE BIG XL1003
97	OH4820A	STAFFA SOSTEGNO BULBO
98	VM1505A	PASSAPARETE CON DIAFRAMMA
100	VM1019A	CRUSCOTTO COMANDI LIEVITATORI MANUAL
101	VM1028A	VASSOIO CRUSCOTTO LIEVITATORE MANUAL
102	VM1776A	TASTO ARGENTO OPACO "0-1" ORO
103	VE1585A	GEMMA ELLITTICA AZZURRA SINUSOIDE ORO
104	VM1775A	TASTO ARGENTO OPACO NUVOLETTA ORO
105	VM2009A	SUPPORTO ELLITTICO D16 ARGENTO
106	MN1003A	MANOPOLA TERMOSTATO LIEVITATORE 0-70°C
107	MS1018A	MASCHERINA SERIGRAFATA LIEV. MANUALE
108	TR1141A	TERMOSTATO 2-72°C
109	VE1562A	PULSANTE UNIPOLARE NA
110	VE1535A	LED BIANCO 230V
111	VM1762A	SUPPORTO LAMPADA INTERNO
112	VE1561A	PULSANTE BIPOLARE NA/NA
113	OH6926A	COVER SUPERIORE XL1003

114	OH6935A	COVER SUPERIORE TRASVERSALE XL1003
165	OH6938B	PORTACOMPONENTI LIEVITATORI BIG
166	MR1000A	CAVO 3X1,5 H07RN-F MT1,5+K2/3+SCHUKO
167	EL1411A	ELETTROVALVOLA H2O CON CHECK VALVE
168	GN1045A	GUARN. ANTIVIBR. CAMINO-SCARICO
169	PE1969A	SCHEDA LIEVITATORE
170	PE1780A	SCHEDA ALIMENTAZIONE BUS 230V 50/60HZ
171	RC1243A	RACCORDO GOMITO CODOLO Ø10F-Ø10M
172	RC1360A	RACCORDO GOMITO JG 10-10
173	VI1019A	VITE M4X6 TCB INOX
174	VM1745A	SUPPORTO PER SCHEDA
175	VL1034A	FILTRO ACQUA Ø10 MESH100
176	RC1365A	RACCORDO JG FEMMINA 3/4"-10
177	RC1002A	RACCORDO RIDUZIONE CODOLO 10M-8F
178	TR1100A	TERMOSTATO REG. 269°C S5.19052.80
179	MN1091B	MANOPOLA SERIGR. TERMOSTATO 80-260°C

# MOD:XL1003



EN

## Codes descriptions

1	VT1161A	SER. EXTERNAL GLASS 757X1467X5
2	VT1160A	730x1395x6 XBC/XVC 1000-4000 INT. GLASS
3	TB2550A	XL100-1005 PROVER RIGHT DOOR COLUMN
4	TB2336A	S.5E LEFT DOOR COLUMN 1000/3200/4000
5	OH3170A	UPPER/LOWER DOOR LISTEL XVC1004/XBC1004
6	GN1348E	DOOR-TROLLEY SEALING GN1341B
7	OH6458A	XVC1005E/XBC1005 LOWER DOOR PROFILE
8	OH4450A	CLOSING PLATE BACK COVER
9	VT1264A	XV1093-4093 EXTERNAL BLACK GLASS
10	OH6720A	CONTROL BOARD EXTERNAL LATERAL SIDE
11	VM1180B	ChefTop/BakerTop HANDLE SHAFT
12	OH6445A	E SERIES TROLLEY OVENS CAM PLATE
13	VM1171B	DOOR LOWER FULCRUM CAP
14	VM1510A	XBC/XVC GROOVED DOOR PIN BUSHING
15	VM1170B	UPPER DOOR FULCRUM CAP
16	VM1511A	XBC/XVC SLEEK DOOR PIN BUSHING
17	OH3428A	SERIES 1000-4000 UPPER LEFT DOOR BRACKET
18	VM1175A	DOOR COLUMN BLANKING CAP
19	VM1815A	LATERAL SUPPORTS FIXING BOLT
20	VM1591A	GLASS BRACKET INT. XVC1004
40	OE1334B	XL100-1005 EXTERNAL BOTTOM PANEL
41	OD2219C	XL100-1005 EXTERNAL COVER
42	OD2253A	XL100-1005 EXTERNAL RIGHT SIDE PANEL
43	OD2252A	XL100-1005 EXTERNAL LEFT SIDE PANEL
44	OF1467B	XL100-1005 EXTERNAL BACK PANEL
45	OH6749A	XL100-1005 PROVER WATER TRAY
46	OH6750A	XL100-1005 PROVER WATER TRAY
47	OH6753B	XL100-1005 EXTERNAL BACK COVER
48	OH7018A	XL1003-1005 INT. VERT. RIGHT COVER
49	OH6936A	XL100-1005 PROVER INT. VERTICAL COVER
50	OH6937B	XL100-1005 PROVER INT. HORIZONTAL COVER

51	OH6897B	XL100-1005 PROVER TROLLEY RIGHT GUIDE
52	OH6898B	XL100-1005 PROVER TROLLEY LEFT GUIDE
53	OH6755A	XL100-1005 PROVER WATER TRAY GUIDE
54	VM2180A	50X10 BALANCE BAR
55	OH7022A	VERTICAL SEALING GUIDE
56	OH7019A	HORIZONTAL SEALING GUIDE
57	OH3280A	XVC1004 XBC1004 SPRING LATCH HOLDER
58	VM1455A	900-1000-4000 SERIES SPRING LATCH COVER
59	VM1190A	CT BT RIGHT DOOR SPRING LATCH
60	VM1192A	CT BT DOOR SPRING LATCH COVER
61	VM1281A	TRIANGULAR BRACKET FOR FOOT AND WHEEL
62	PD1073A	D50 ADJUSTABLE FOOT 130-185mm
63	VM2048A	FOOT ADJUSTING RING
64	VM1014A	RING MOUNTING OVEN TO THE FLOOR
65	OH6894A	FOOT LATERAL LOCK
66	OH6895B	FOOT INTERNAL LOCK
67	VM1125A	NYLON/GLASS THREADED CAP FOR SQUARE
68	TB2461B	FOOT SQUARE TUBE
69	PD1065A	ACCESSORY FOOT D45 H20 M10X40
70	TB2463B	XL100-1005 DRAIN PIPE Ø90x1
71	OH6896A	DRAIN FRONT SUPPORT
72	OH6756B	DRAIN BACK SUPPORT
73	RC1055A	Ø25-40 H12 STAINLESS STEEL PIPE CLIP
74	VL1026A	BEND FOR DRAIN PIPE
75	GN1400A	U-TRAP SEAL
76	VM1645A	CABINET AND PROVER GASKET CORNER
77	OH6718A	S.E DOOR COUNTERBRACKET
78	VM1195A	HOLES BLANKING PLATE XVC204/304/504/704
79	VM1166A	CAP FOR DOOR UPPER STIRRUP XVC204/304/5
80	VM1165B	CT BT DOOR UPPER BRACKET
81	VM1750A	BRASS COMB CLAMP

82	RS1270A	1,2kW 230V FLAT HEATING ELEMENT
83	VM1690A	HUMIDITY PROBE SUPPORT XL405
84	VM2160A	HUMIDITY SENSOR EXTENSION
85	TR1120A	HUMIDITY SENSOR
86	VM1465A	CHEFTOP TEMPERATURE PROBE COVER
87	TR1105A	L=1000 PT1000 TEMPERATURE PROBE
88	UG1004A	XC415-515-625 1/8" WATER NOZZLE
89	RC1380A	XL100-1005 FEMALE D8 1/8 REDUCER
90	EL1125A	WALL PASSING SEAL Ø8
91	EL1195B	Ø8F-Ø8M ELBOW CONNECTION
92	GN1392C	XVC1005-4005 DOOR GASKET - GN1006A
93	VM1160B	CT BT DOOR LOWER BRACKET
94	VL1005A	U-TRAP TANK
95	OD2233B	XL1003 PROVER EXTERNAL COVER
96	OF1472B	XL1003 EXTERNAL BACK PANEL
97	OH4820A	BULB HOLDING BRACKET
98	VM1505A	WALL PASSING WITH DIAPHRAGM
100	VM1019A	MANUAL PROVER CONTROL BOARD
101	VM1028A	MANUAL PROVER CONTROL BOARD TRAY
102	VM1776A	MATT SILVER KEY "0-1" GOLD
103	VE1585A	BLUE LIGHT COVER GOLD SINUSOID
104	VM1775A	OPAQUE SILVER KEY WITH GOLD "CLOUD"
105	VM2009A	ELLIPTICAL SILVER SUPPORT D16
106	MN1003A	PROVER THERMOSTAT 0-70°C KNOB
107	MS1018A	MANUAL PROVER CONTROL BOARD STICKER
108	TR1141A	THERMOSTAT KIT 2-72°C
109	VE1562A	UNIPOLAR NA PUSH BUTTON
110	VE1535A	230V WHITE LED
111	VM1762A	INNER LAMP SUPPORT
112	VE1561A	BIPOLAR SWITCH NA/NA
113	OH6926A	XL1003 PROVER EXTERNAL UPPER COVER

114	OH6935A	XL1003 EXTERNAL UPPER TRANSVERSE COVER
165	OH6938B	XL100-1005 ELECTRIC COMPONENTS HOLDER
166	MR1000A	CABLE 3X1,5 H07RN-F MT1,5+K2/3+SCHUKO
167	EL1411A	SOLENOID VALVE WITH CHECK VALVE
168	GN1045A	ANTIVIBR. SEAL FOR EXHAUST CHIMNEY
169	PE1969A	BAKERTOP PROVER POWER CARD
170	PE1780A	CARDBUS 230V 50/60HZ
171	RC1243A	Ø10F-Ø10M ELBOW CONNECTION + JG END KIT
172	RC1360A	10 - 10 JG ELBOW FITTING
173	VI1019A	SCREW M4x6 TCB INOX
174	VM1745A	CARD SUPPORT
175	VL1034A	Ø10 MESH100 WATER FILTER
176	RC1365A	3/4"-10 JG FEMALE CONNECTION
177	RC1002A	JG 10M-8F TERMINAL REDUCTION FITTING
178	TR1100A	269°C 55.19052.80 ADJUSTABLE THERMOSTAT
179	MN1091B	80-260°C THERMOSTAT KNOB